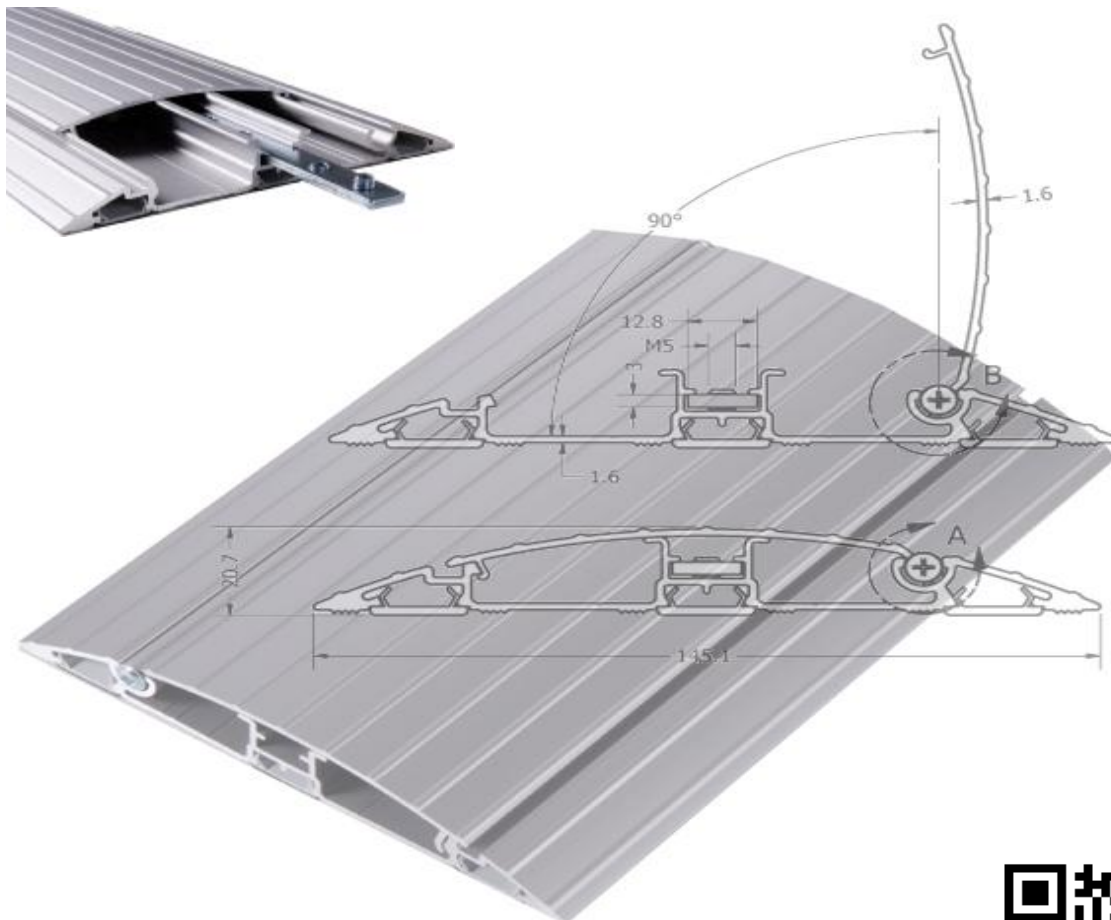


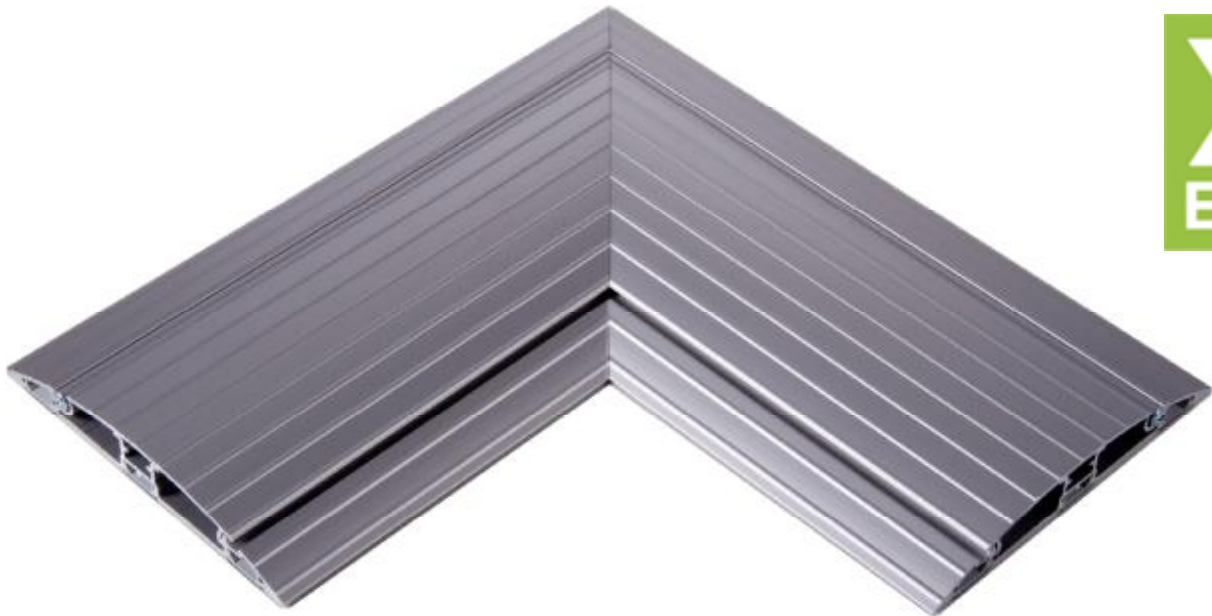
Revolutionary aluminum cable bridge for horizontal and *vertical* use



- * Durable product made from 80% recycled aluminum 6060.22
- * Ergonomic cablebridge is filled with cables from **above**
- * **Link capability** with a metal strip, which is mounted in an integrated recess
- * Lid with long spring clip, which ensures a perfect click and always can be opened with a coin, key, or large paperclip
- * Optional provided with 3 anti-slip strips manufactured by coextrusion HPVC / TPE for a perfect grip on any surface
- * Six rows of teeth for increased grip on carpet
- * Cablechannels with centregroove for easy screwing
- * Two major cable channels 25 and 35 mm wide
- * Light industrial loads up to 500 kg (pallet jack, coffee cart, mail cart, wheelchairs)
- * Available from stock in various lengths, possibly cut to size on your demand
- * Superhigh quality finish
- * Please, scan the QR code for detailed information



www.wesjon.nl/qrkabelgoten



E-MAX RECYCLED CONTENT CERTIFICATE FOR X-ECO ALLOYS

Aluminium is a fully recyclable material. E-MAX profiles are produced from at least 80% recycled aluminium.

Alloys for architectural applications: 6060.22 / 6063.25
Total recycle content 80%
Pre-consumer content 35%
Post-consumer content 45%



If you are interested in our aluminum cable bridges and its features, please contact Wesjon for distribution opportunities.

Phone +31 (0)88-9375662 or via info@wesjon.nl