

6 1 5 1 4 3 1 2 1 1

D

D

C

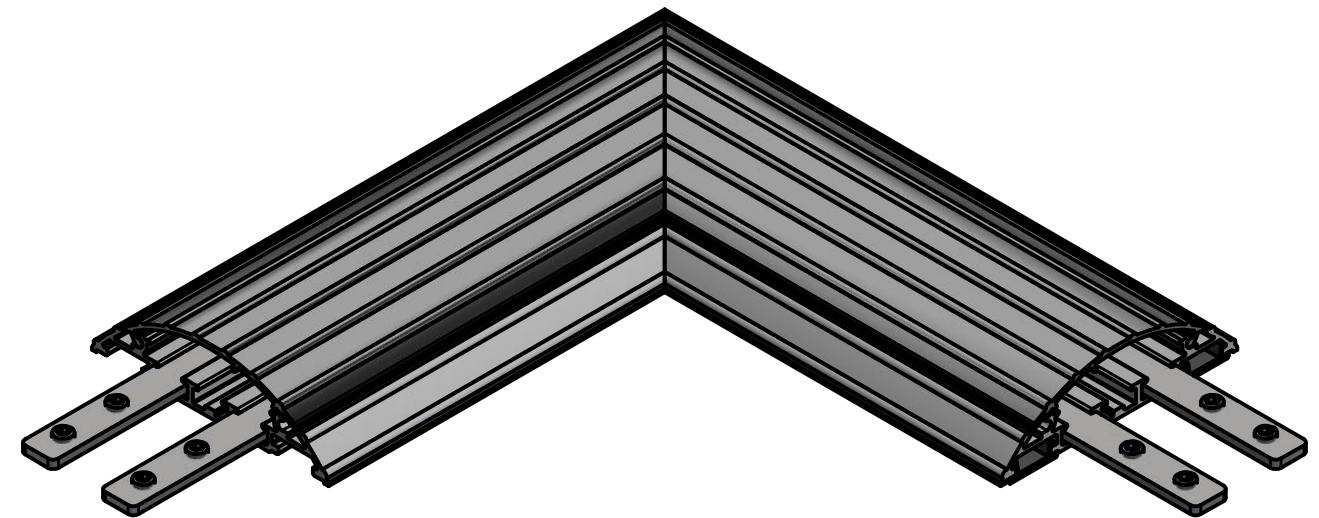
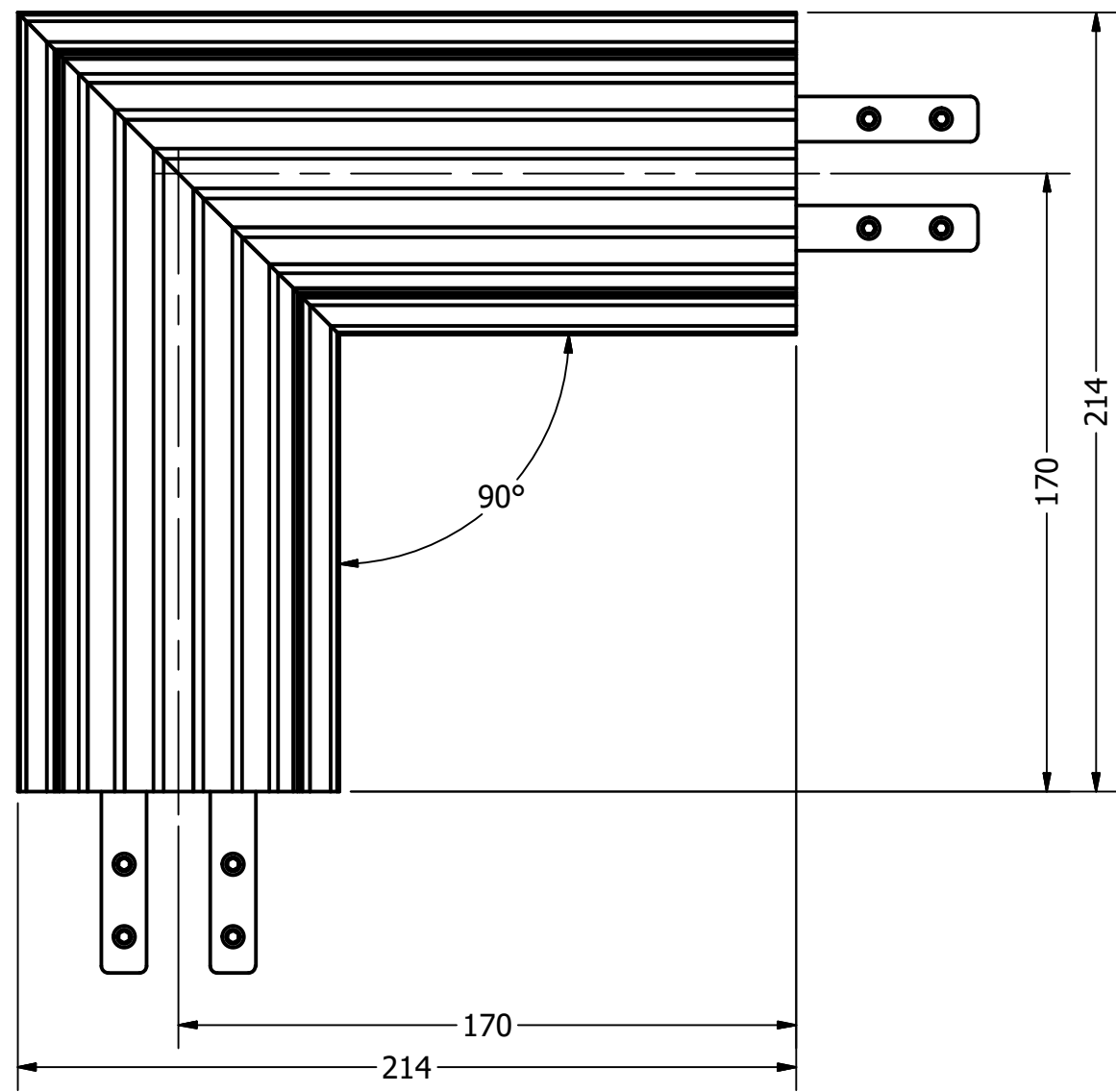
C

B

B

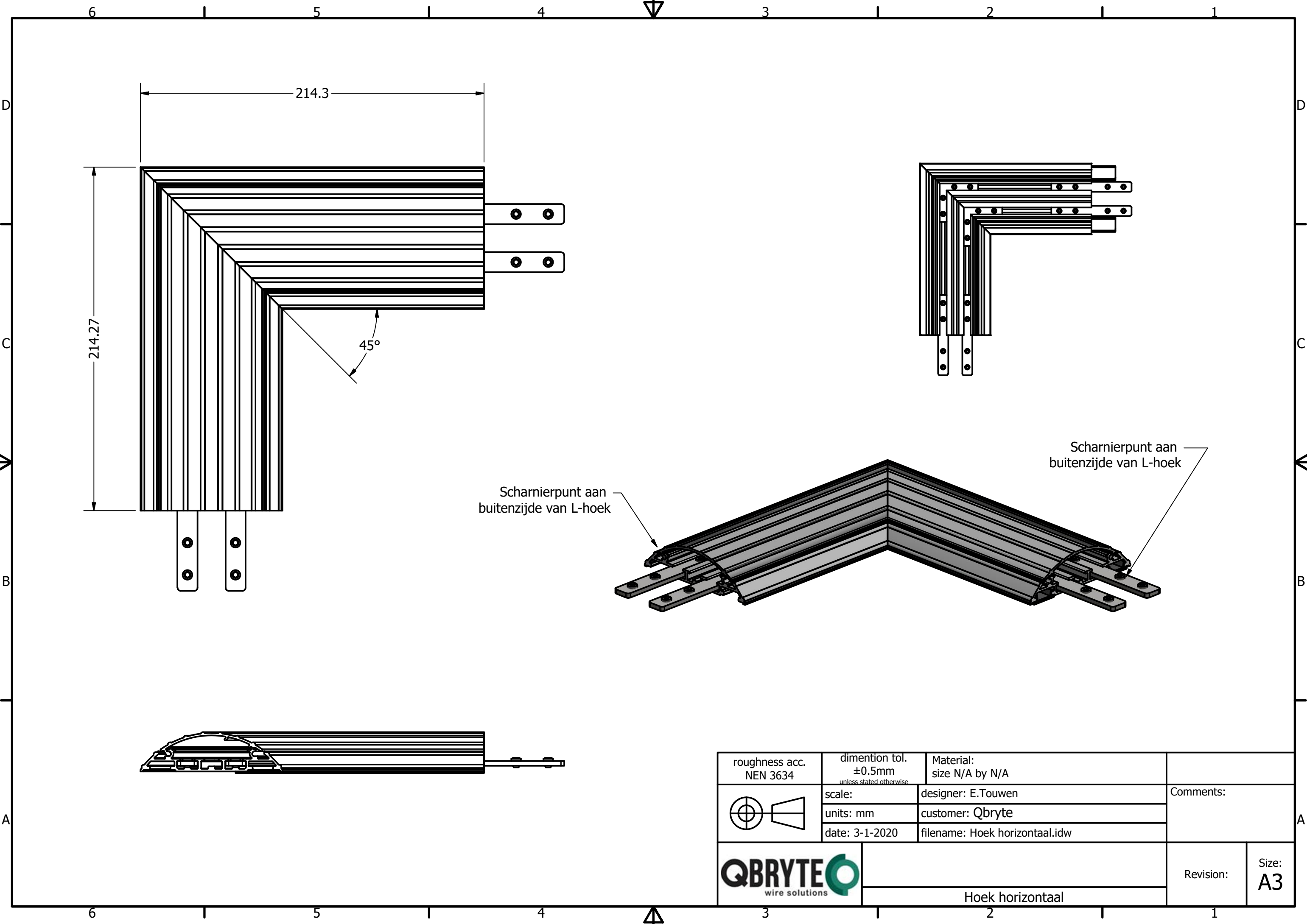
A

A



roughness acc. NEN 3634	dimension tol. ±0.5mm <small>unless stated otherwise</small>	Material: size N/A by N/A	
	scale:	designer: E.Touwen	Comments:
	units: mm	customer: Qbryte	
	date: 3-1-2020	filename: Hoek horizontaal.idw	
		Revision:	Size: A3
		Hoek horizontaal	

6 1 5 1 4 3 1 2 1 1



roughness acc. NEN 3634	dimension tol. ±0.5mm <small>unless stated otherwise</small>	Material: size N/A by N/A	Comments:
	scale:	designer: E.Touwen	
	units: mm	customer: Qbryte	
	date: 3-1-2020	filename: Hoek horizontaal.idw	
		Revision:	Size: A3
		Hoek horizontaal	