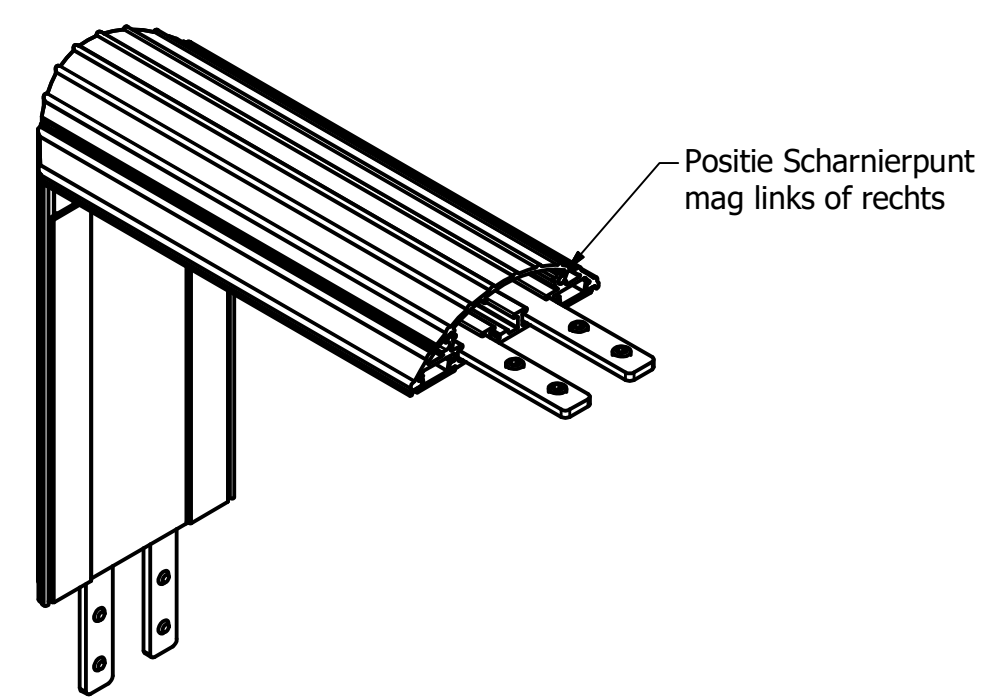
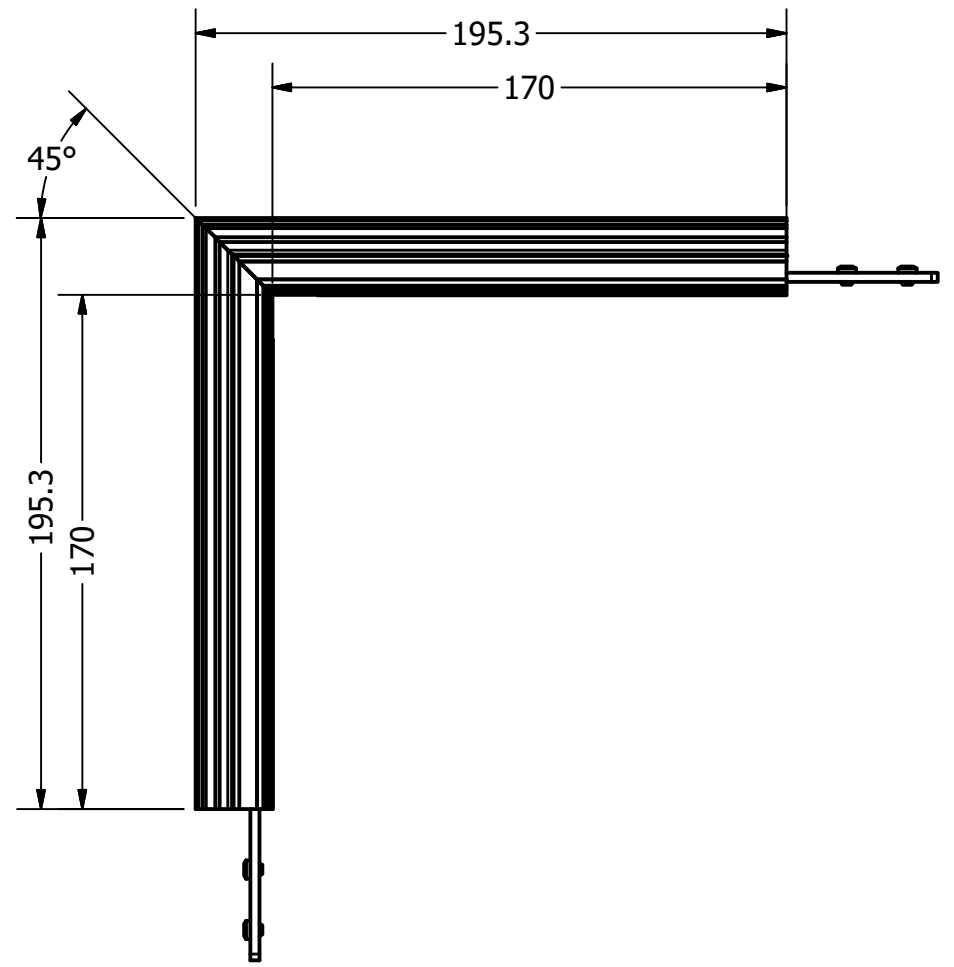
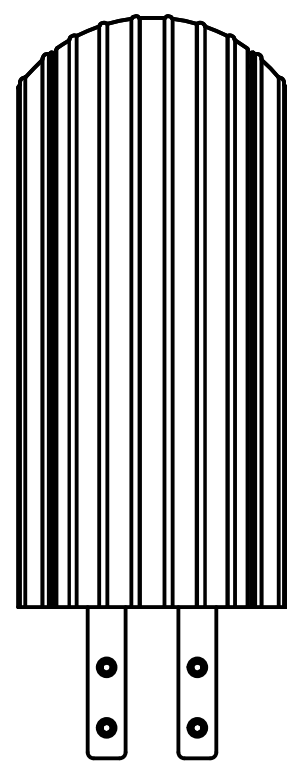


roughness acc. NEN 3634	dimension tol. ±0.5mm <small>unless stated otherwise</small>	Material: size N/A by N/A	
	scale:	designer: Gebruiker	Comments:
	units: mm	customer: Qbryte	
	date: 3-1-2020	filename: Hoek neer.idw	
		Hoek neer	Revision: 1
			Size: A3



roughness acc. NEN 3634	dimension tol. ±0.5mm <small>unless stated otherwise</small>	Material: size N/A by N/A	
	scale:	designer: Gebruiker	Comments:
	units: mm	customer: Qbryte	
	date: 3-1-2020	filename: Hoek neer.idw	
		Hoek neer	Revision: Size: A3