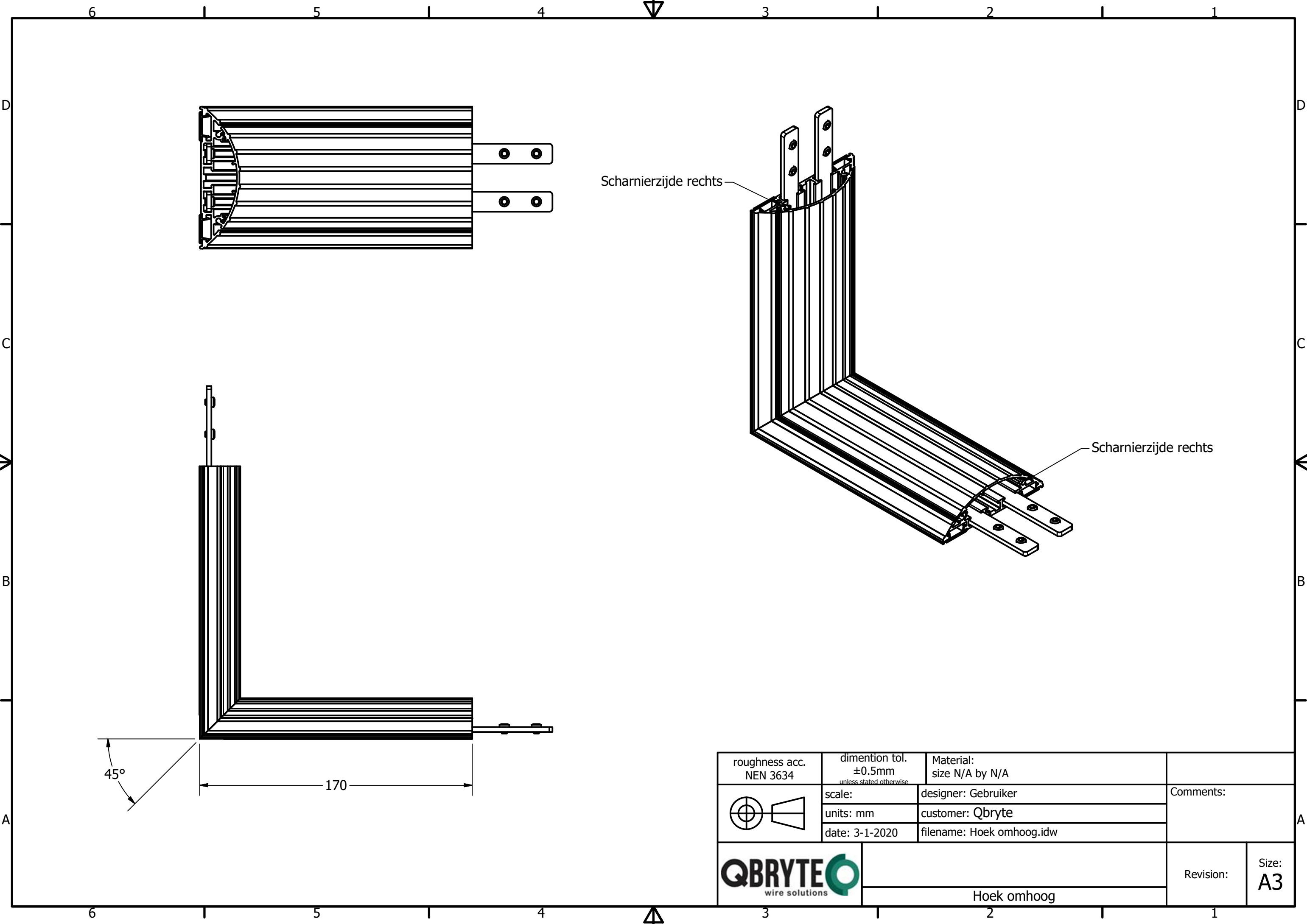


roughness acc. NEN 3634	dimension tol. ±0.5mm <small>unless stated otherwise</small>	Material: size N/A by N/A	
	scale:	designer: Gebruiker	Comments:
	units: mm	customer: Qbryte	
	date: 3-1-2020	filename: Hoek omhoog.idw	
	Hoek omhoog		Revision:
			Size: <b>A3</b>



roughness acc. NEN 3634	dimension tol. ±0.5mm <small>unless stated otherwise</small>	Material: size N/A by N/A	Comments:
	scale:	designer: Gebruiker	
	units: mm	customer: Qbryte	
	date: 3-1-2020	filename: Hoek omhoog.idw	
		Revision:	Size: <b>A3</b>
		Hoek omhoog	